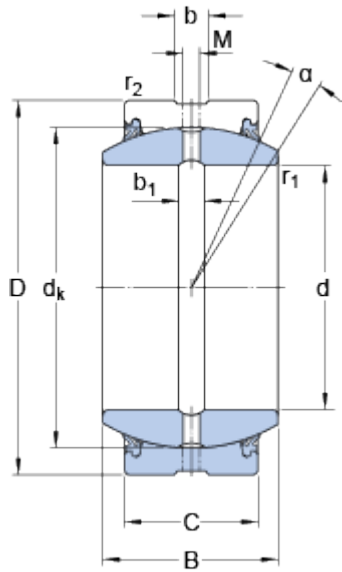


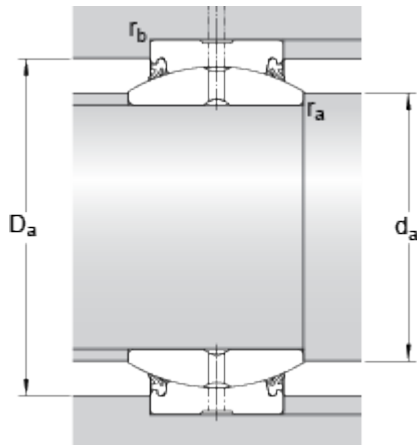
GE 70 ES-2RS

Dimensions



d		70	mm
D		105	mm
B		49	mm
C		40	mm
α		6	°
d_k		92	mm
b		7.7	mm
b_1		7.7	mm
M		4	mm
r_1	min.	1	mm
r_2	min.	1	mm

Abutment dimensions



d_a	min.	76.7	mm
d_a	max.	77.9	mm
D_a	min.	92	mm
D_a	max.	99	mm
r_a	max.	1	mm
r_b	max.	1	mm

Calculation data

Basic dynamic load rating	C	315	kN
Basic static load rating	C_0	1560	kN
Specific dynamic load factor	K	100	N/mm ²
Specific static load factor	K_0	500	N/mm ²
Material constant	K_M	330	

Mass

Mass plain bearing		1.55	kg
--------------------	--	------	----

